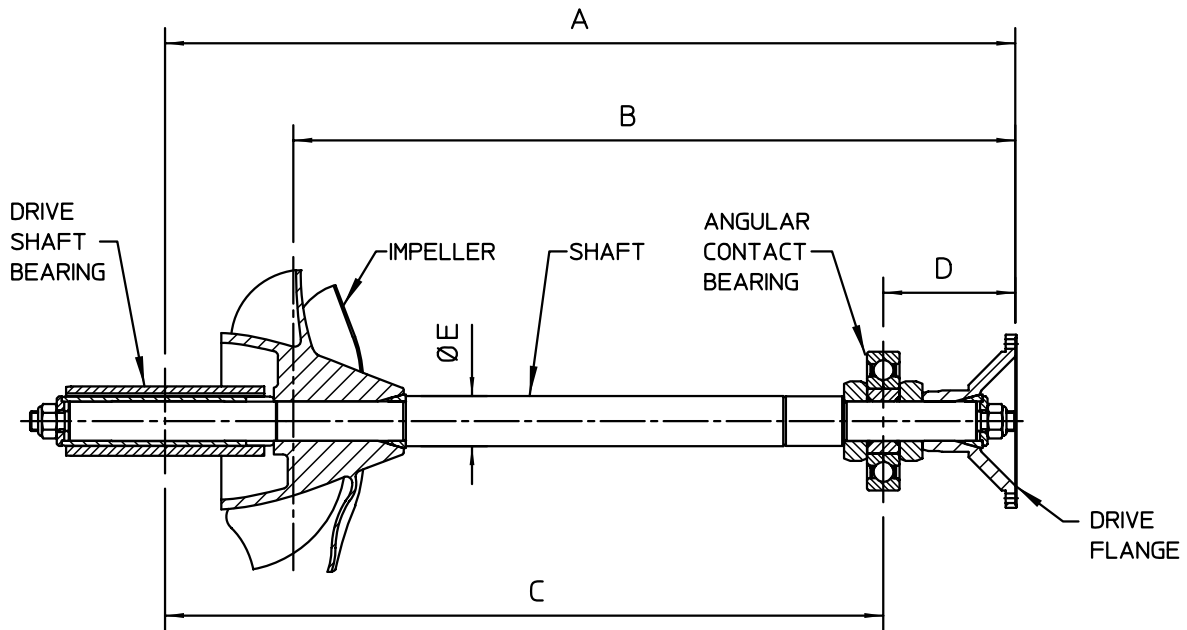


Moment of Inertia Data for Vibrational Analysis



UltraJet Model	Dimension A	Dimension B	Dimension C	Dimension D	Dia. E
UJ251	791mm (31.14")	673mm (26.5")	658mm (25.9")	133mm (5.24")	Ø50.5mm (1.99")
UJ305	857mm (33.74")	728mm (28.66")	724mm (28.5")	133mm (5.24")	Ø50.5mm (1.99")
UJ305HT	862.5mm (33.95")	721.5mm (28.4")	729.5mm (28.72")	133mm (5.24")	Ø50.5mm (1.99")
UJ340	1006.5mm (39.6")	866.5mm (34.1")	832.5mm (32.8")	174mm (6.8")	Ø60.5mm (31.8")
UJ375	1198mm (47.16")	1041mm (40.98")	907mm (35.70")	291mm (11.45")	Ø75mm (2.95")
UJ376	1263mm (49.72")	1106mm (43.54")	972mm (38.26")	291mm (11.45")	Ø75mm (2.95")
UJ410	1426mm (56.1")	1202mm (47.3")	1122mm (44.2")	304mm (12")	Ø82mm (3.23")
UJ451	1572mm (61.89")	1348mm (53.07")	1200mm (47.24")	372mm (14.65")	Ø90mm (3.54")
UJ575	2044mm (80.5")	1765mm (69.5")	1616mm (63.6")	428mm (16.9")	Ø120mm (4.7")

UltraJet Model	Description	Moment of Inertia		Mass	
		kg m ²	lb ft ²	kg	lb
UJ251	4 Blade Impeller	0.0540	1.281	7.50	16.5
	5 Blade Impeller	0.0580	1.376	8.00	17.6
	Shaft	0.0025	0.059	7.60	16.8
	SAE 1510 Drive Flange	0.0074	0.176	2.50	5.5
UJ305	4 Blade Impeller	0.0730	1.732	12.05	26.6
	5 Blade Impeller	0.0820	1.946	12.69	28.0
	Shaft	0.0020	0.047	11.80	26.0
	SAE 1600 Drive Flange	0.0020	0.047	3.00	6.6
UJ305HT	4 Blade Impeller	0.1460	3.465	15.07	33.2
	Shaft	0.0020	0.047	11.80	26.0
	SAE 1600 Drive Flange	0.0020	0.047	3.00	6.6
UJ340	4 Blade Impeller	0.1460	3.465	15.07	33.2
	5 Blade Impeller	0.1700	4.034	16.20	35.7
	Shaft	0.0080	0.190	19.08	42.1
	SAE 1600 Drive Flange	0.0090	0.214	4.62	10.2
UJ376	4 Blade Impeller	0.2500	5.933	18.06	39.8
	5 Blade Impeller	0.2900	6.882	22.00	48.5
	Shaft	0.0230	0.546	37.50	82.7
	DIN 180 Drive Flange	0.0160	0.380	7.93	17.5
UJ410	4 Blade Impeller	0.3830	9.086	29.00	63.9
	5 Blade Impeller	0.4400	10.438	34.80	76.6
	Shaft	0.0320	0.760	47.00	103.6
	DIN 1510 Drive Flange	0.0100	0.240	4.98	11.0
UJ451	DIN 180 Drive Flange	0.0160	0.380	7.93	17.4
	5 Blade Impeller	0.5800	13.764	38.20	84.2
	Shaft	0.0580	1.376	65.70	144.8
UJ575	DIN 250 Drive Flange	0.0700	1.661	20.30	44.8
	5 Blade Impeller	2.4010	56.977	92.50	203.9
	Shaft	0.2650	6.289	169.00	372.6
	DIN 285 Drive Flange	0.2470	5.861	33.00	72.8